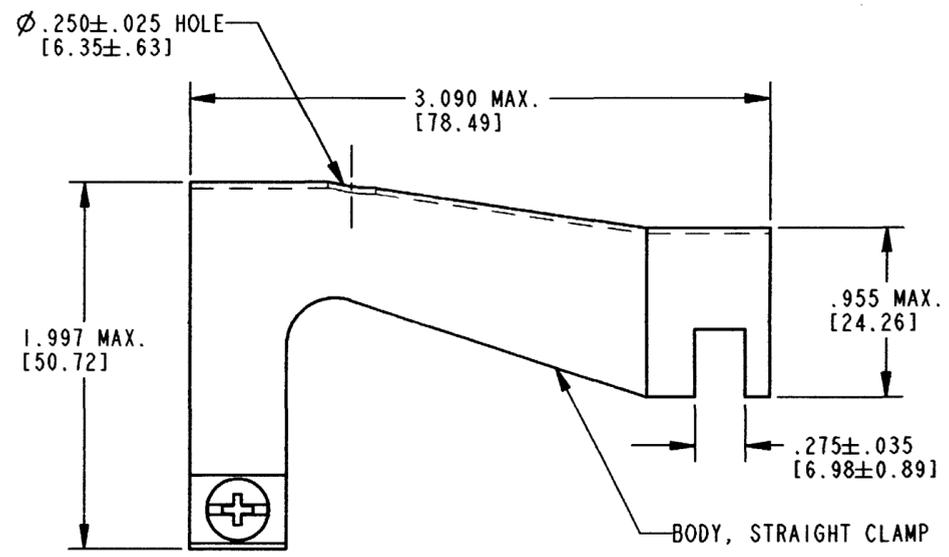
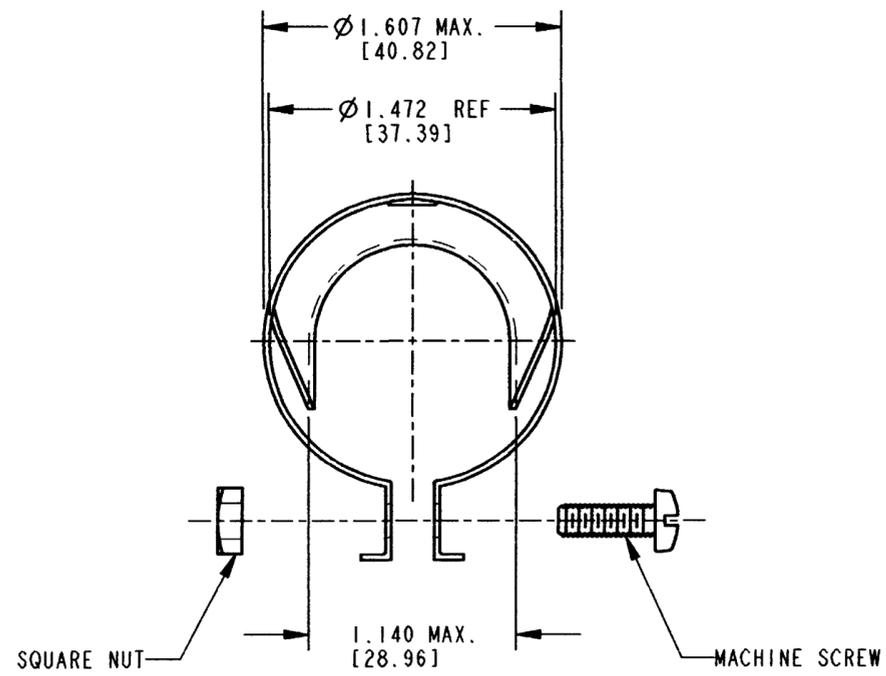


REV	WHDS-24-1	REVISIONS			
E		SYM	DESCRIPTION	DATE	APPROVED
		B	REVISED PER E.O. 93864	2/16/83	T.H.
		C	REVISED PER E.O. P15473	11/20/97	R.D.R.
		D	REVISED PER E.O. P18579	6/14/04	R.D.R.
	E	REVISED PER E.O. P19027	8-31-05	RDR	



- 5. MACHINE SCREW TORQUE RANGE: 7-10 IN LBS [0.79-1.13 NM].
 - 4. MATERIAL: STEEL.
 - 3. FINISH: TIN OVER NICKEL PLATE.
 - 2. PARTS SHIPPED UNASSEMBLED.
- NOTES: 1. DIMENSIONS ARE IN INCHES [MILLIMETERS] UNLESS OTHERWISE SPECIFIED.

SIGNATURE & DATE		CLAMP, STRAIGHT HD SERIES	CP	MATL. CODE
DR	X. SANCHEZ 19MAY04		The Deutch Company	
CHK	<i>[Signature]</i> 8/31/05		DEUTSCH I.P.D. 3850 INDUSTRIAL AVE. HEMET, CALIF. 92545	
PE	<i>[Signature]</i> 8/29/05			
APPD	<i>[Signature]</i> 8/29/05	ENVELOPE	B	WHDS-24-1
SCALE	NONE		WT	DWG SIZE
			SHEET OF	